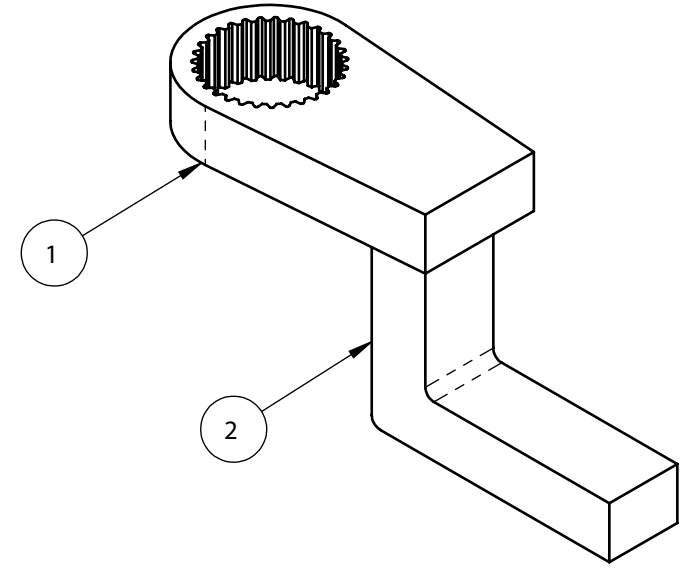
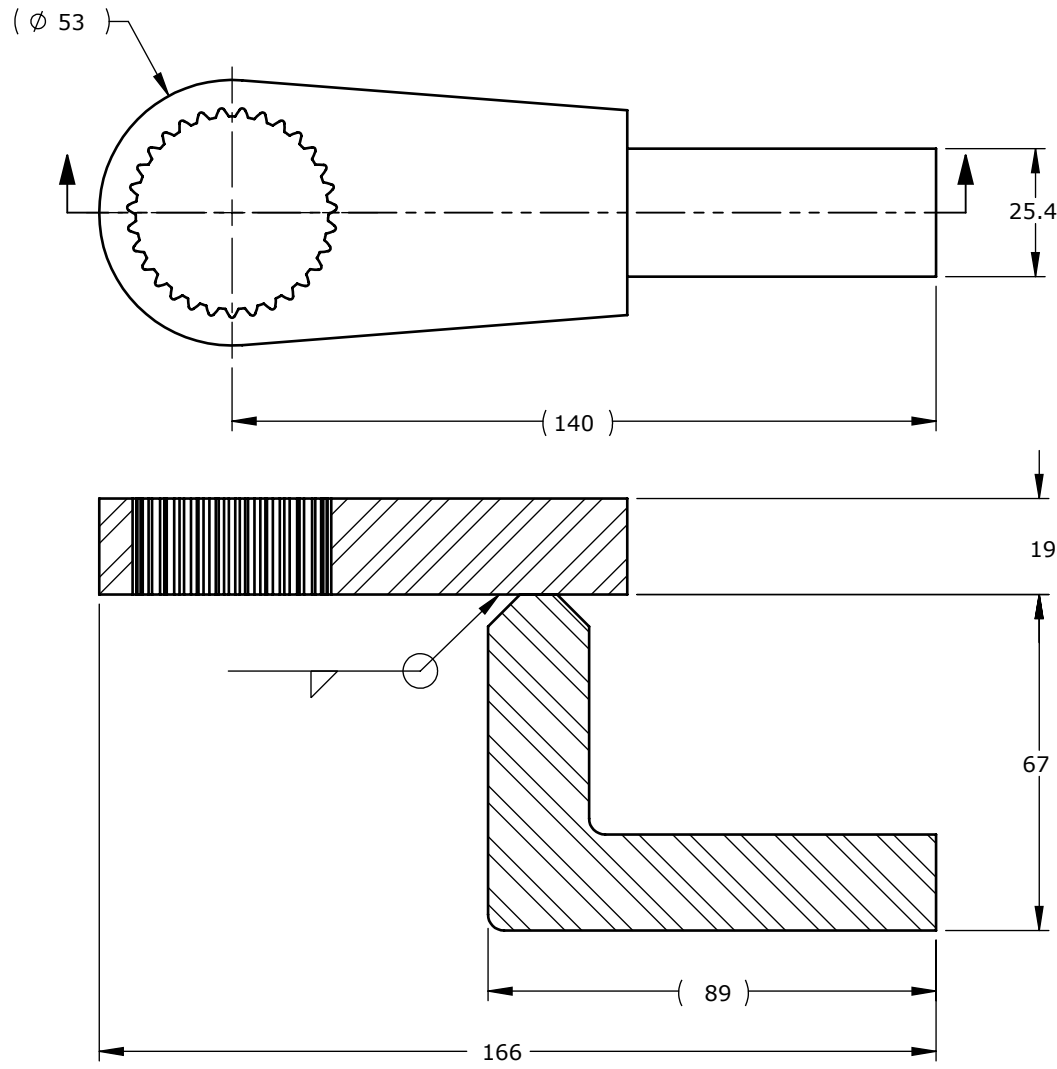


DO NOT SCALE DRAWING



ITEM NO.	PART NUMBER	DESCRIPTION	QTY.
1	25189A	BLANK 3.09 CE 0.75 SP7	1
2	15590B	ARM 2.63-3.5-1.0-90	1

REV.	DESCRIPTION	ENG.	E.C.O.	YY.MM.DD
C	REDRAWN IN SOLIDWORKS, ADDED B.O.M. & WELD DETAILS	J.I.		16.03.29

UNLESS OTHERWISE SPECIFIED DIMENSIONS ARE IN MM.

C.A.D. SCALE 1:2		
MATERIAL		
WEIGHT		
DRAWN	NAME	YY.MM.DD
ENG. CHKD	P.D.	06.05.30
Q.A. CHKD		
MFG. CHKD		
ENG. APPD		

PROPRIETARY AND CONFIDENTIAL
THE INFORMATION CONTAINED HEREIN IS THE CONFIDENTIAL PROPERTY OF NEW WORLD TECHNOLOGIES. ANY REPRODUCTION WITHOUT PRIOR WRITTEN CONSENT FROM NEW WORLD TECHNOLOGIES IS STRICTLY PROHIBITED.

TITLE
RAD 10GX/14GX 90° 0.75 SP7

Third Angle Projection

DWG. NO. **11842C** REV. SHT. **1/1** SZ. **A**