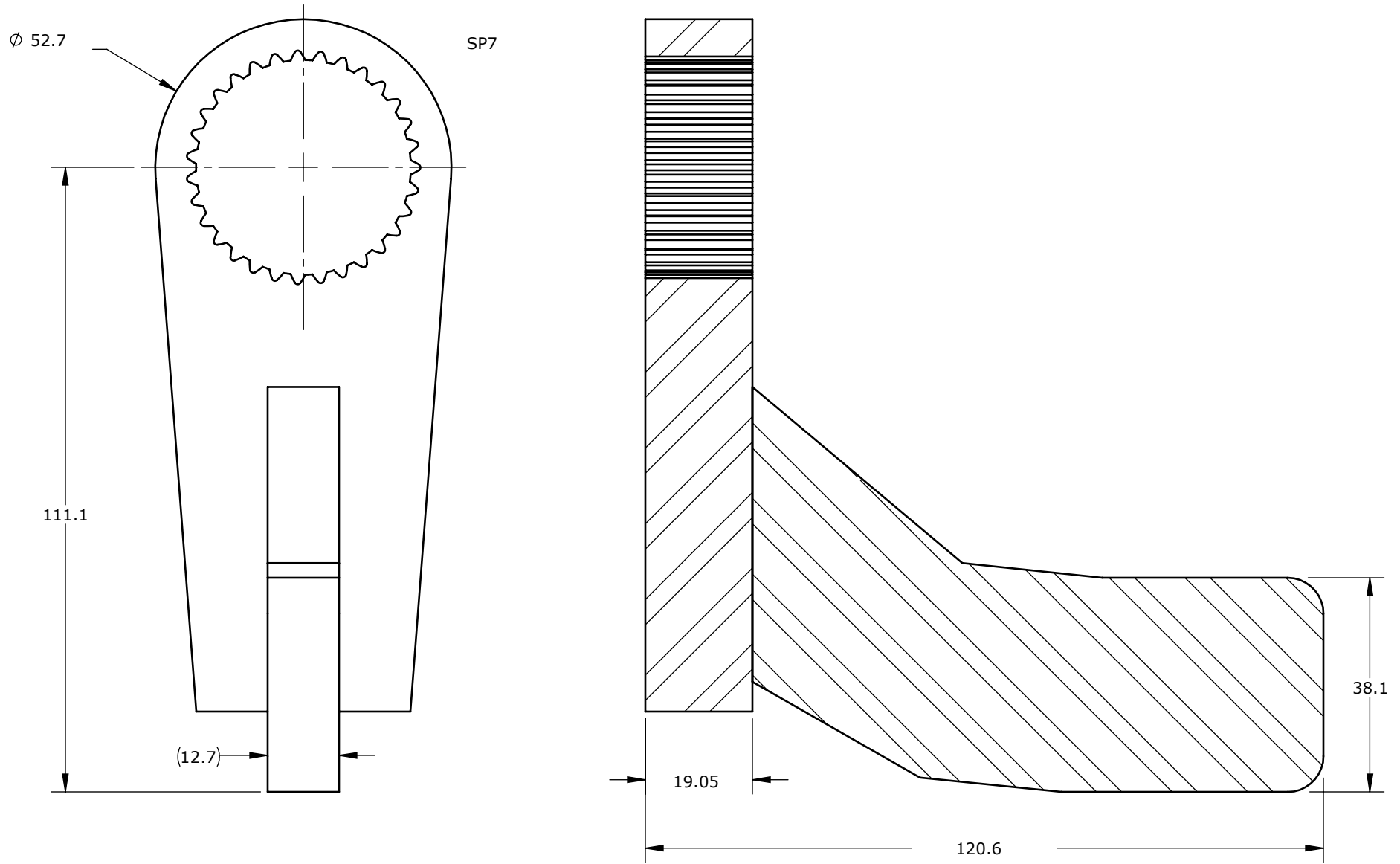


DO NOT SCALE DRAWING



UNLESS OTHERWISE SPECIFIED DIMENSIONS ARE IN MM.



MATERIAL	
WEIGHT	
DRAWN	
ENG. CHKD	
Q.A. CHKD	
MFG. CHKD	
ENG. APPD	

TITLE		
10 GX-R REACTION ARM		
Third Angle Projection	DWG. NO. 13512E	REV. SHT. SZ. 1/1 A