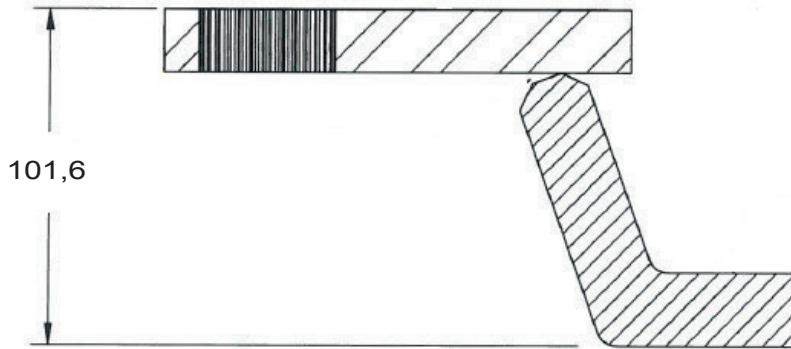
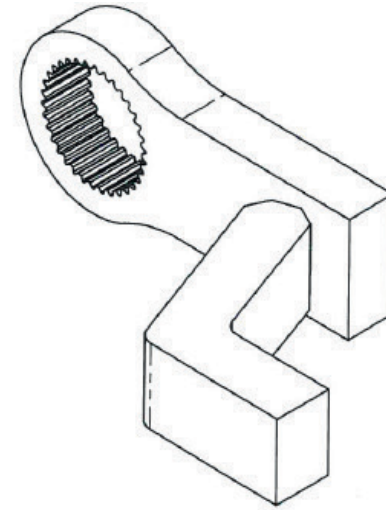
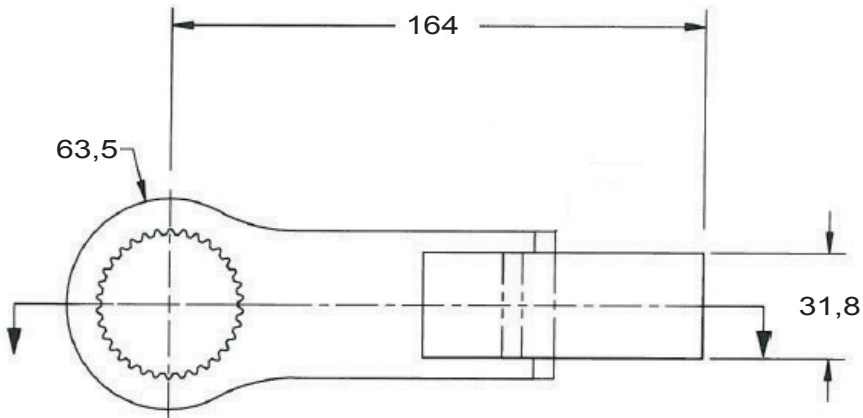


DO NOT SCALE DRAWING



ENG.	E.C.O.	YY.MM.DD

UNLESS OTHERWISE SPECIFIED DIMENSIONS ARE IN MM

MATERIAL	
WEIGHT	
NAME	YY.MM.DD
N.D.	
D.S.	
K.P.	
P.M.	
D.S.	

TITLE **STANDARD REACTION ARM 20DX-NX**

DWG. NO. **19772** REV. SHT. SZ. **B 1/1 A**

Third Angle Projection